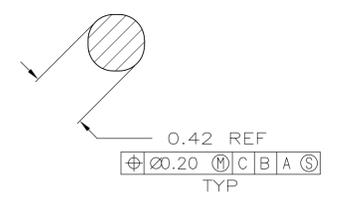
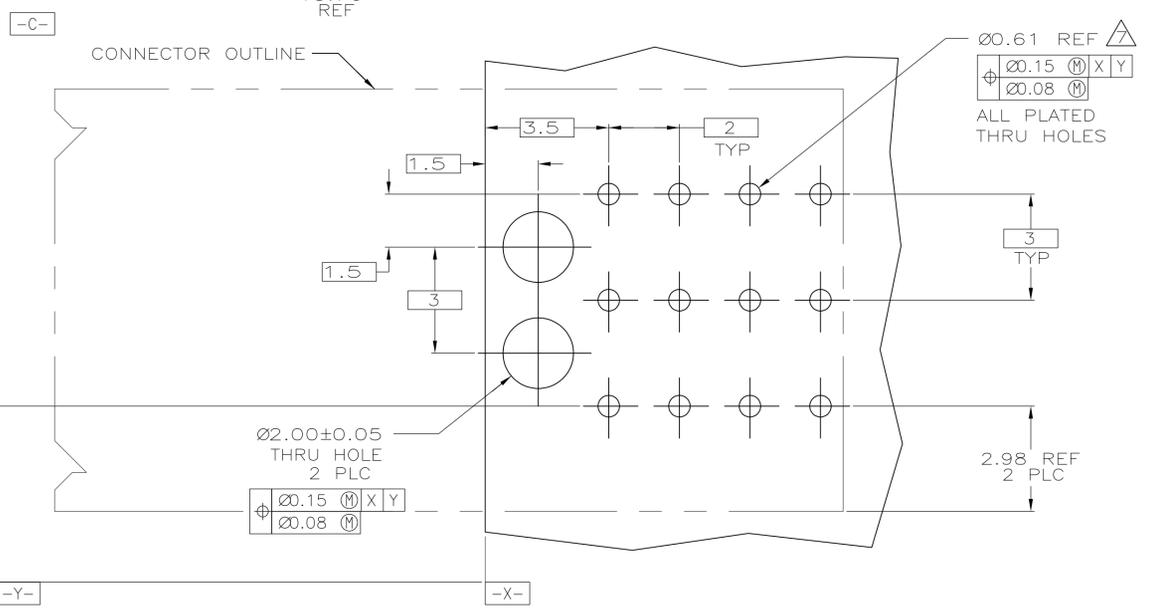
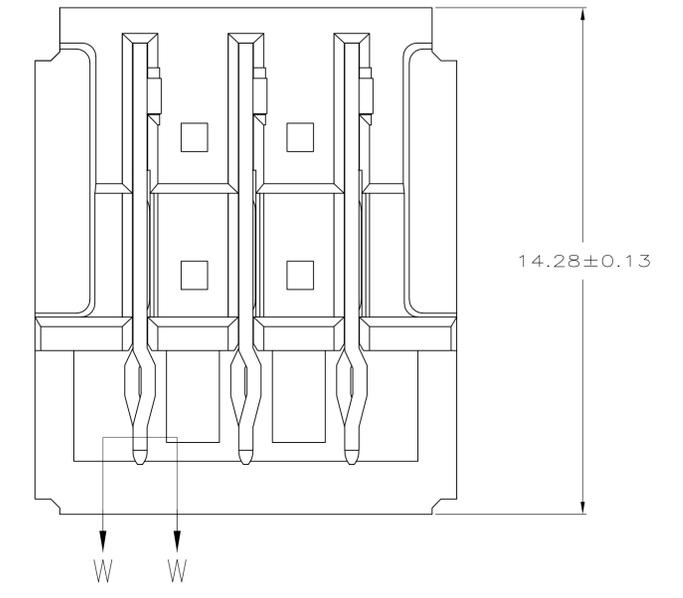
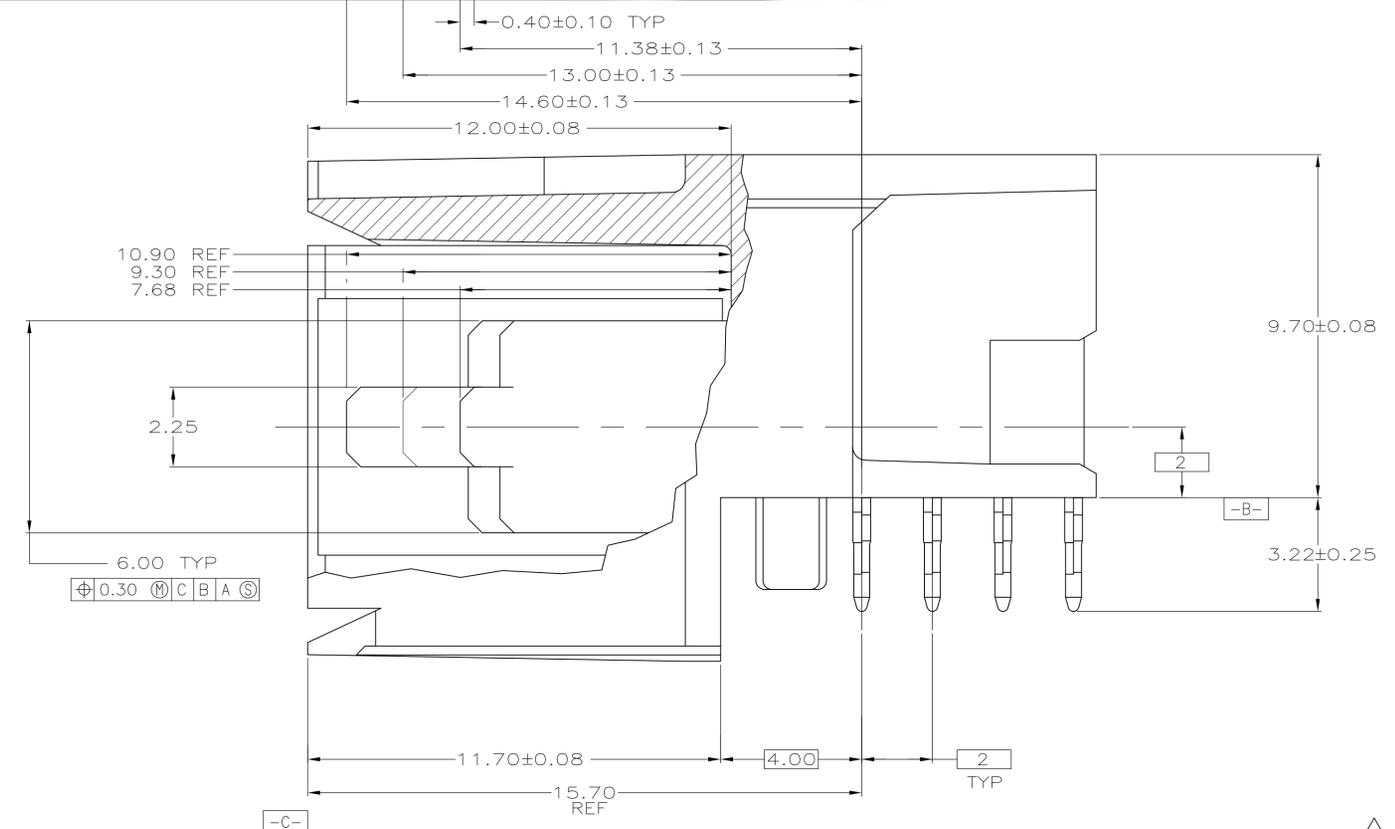
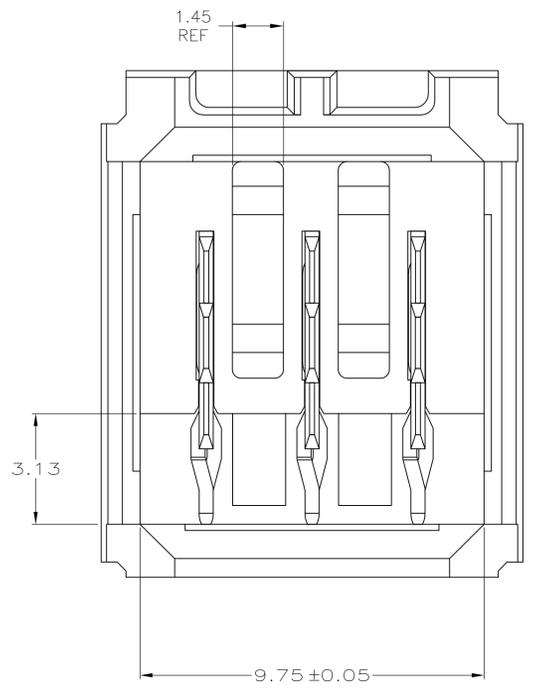


- 1 MATERIAL: HOUSING: POLYESTER, COLOR: GRAY. UL94V-0. CONTACT: PHOSPHOR BRONZE.
- 2 FINISH: CONTACT MATING AREA: 1.27µm MIN GOLD OR 0.08µm MIN GOLD OVER 0.76µm MIN PALLADIUM-NICKEL. ACTION PIN AREA: 0.5µm MIN TIN LEAD PLATE, ALL OVER 1.27µm MIN NICKEL UNDERPLATE.
- 3 FINISH: CONTACT LUBRICATION WITH BELLCORE APPROVED LUBRICANT. TECHNICAL REFERENCE: TR-NWT-001217 ISSUE 1, SEPT 1992.
- 4 MATERIAL: HOUSING: LCP; COLOR, RED. UL 94V-0. CONTACT: PHOSPHOR BRONZE.
- 5 NUMBER "1" MARKED IN THIS AREA.
- 6 RESTRICTED PART NUMBER, CONTACT ENGINEERING.
- 7 REFERENCE APPLICATION SPEC 114-1103 FOR RECOMMENDED PLATED THRU HOLE DIAMETER AND PLATING THICKNESSES.
- 8. CURRENT RATING 10A/CONTACT PER PRODUCT SPEC 108-1651.
- 9 OBSOLETE PARTS: OBSOLETE CIS STREAMLINING PER D.RENAUD/D.SINISI



SECTION W-W
 SCALE 40:1

9	OBSOLETE	6	223964-8
9	OBSOLETE	1 2 3 4 5	223964-6
	OBSOLETE	2 3 4	223964-2
		1 2 3	223964-1
		FINISH	PART NUMBER

RECOMMENDED PCB HOLE LAYOUT

THIS DRAWING IS A CONTROLLED DOCUMENT.

DIMENSIONS: mm	TOLERANCES UNLESS OTHERWISE SPECIFIED:	DIN R. BUCHHEISTER 08/MAR/96	CHIK N. NORRIS 08/MAR/96	APVD D.SINISI 08/MAR/96	NAME	Tyco Electronics Corporation Harrisburg, PA 17105-3608
0 PLC ± -	1 PLC ± -	2 PLC ± 0.13	3 PLC ± -	4 PLC ± -	ANGLES ± -	ASSEMBLY, RIGHT ANGLE HEADER, W/ RETENTION PEGS, UNIVERSAL POWER MODULE
MATERIAL	FINISH	SIZE	CAGE CODE	DRAWING NO	RESTRICTED TO	
		A1	00779	223964		
CUSTOMER DRAWING		SCALE	10:1	SHEET	1 of 1	REV